

# FUZE WASH Z120™

user manual

©2020 ELATION PROFESSIONAL all rights reserved. Information, specifications, diagrams, images, and instructions herein are subject to change without notice. ELATION PROFESSIONAL logo and identifying product names and numbers herein are trademarks of ELATION PROFESSIONAL. Copyright protection claimed includes all forms and matters of copyrightable materials and information now allowed by statutory or judicial law or hereinafter granted. Product names used in this document may be trademarks or registered trademarks of their respective companies and are hereby acknowledged. All non-ELATION brands and product names are trademarks or registered trademarks of their respective companies.

**ELATION PROFESSIONAL** and all affiliated companies hereby disclaim any and all liabilities for property, equipment, building, and electrical damages, injuries to any persons, and direct or indirect economic loss associated with the use or reliance of any information contained within this document, and/or as a result of the improper, unsafe, insufficient and negligent assembly, installation, rigging, and operation of this product.

**Elation Professional USA** | 6122 S. Eastern Ave. | Los Angeles, CA. 90040  
 323-582-3322 | 323-832-9142 fax | [www.elationlighting.com](http://www.elationlighting.com) | [info@elationlighting.com](mailto:info@elationlighting.com)

**Elation Professional B.V.** | Junostraat 2 | 6468 EW Kerkrade, The Netherlands  
 +31 45 546 85 66 | +31 45 546 85 96 fax | [www.elationlighting.eu](http://www.elationlighting.eu) | [info@elationlighting.eu](mailto:info@elationlighting.eu)

## DOCUMENT VERSION



Please check [www.elationlighting.com](http://www.elationlighting.com) for the latest revision/update of this manual.

Date	Document Version	Software Version $\geq$	DMX Channel Modes	Notes
08/23/16	1.2	1.05	15/ 16/ 17 / 19	Added Omega Bracket installation diagram updated rigging diagram, and added max power consumption specification.
09/15/16	1.3	1.05	15/ 16/ 17 / 19	Added Snoot installation diagram, dimensional drawings and SKU.
09/19/16	1.4	1.05	15/ 16/ 17 / 19	Added missing section of DMX traits.
04/06/17	1.5	N/C	NO CHANGE	Updated Strobe DMX Values (See highlighted values).
05/14/20	1.6	1.15	NO CHANGE	Updated System Menu and DMX Channels/Functions.
07/27/20	1.7	N/C	NO CHANGE	Updated thermal
09/26/20	1.8	1.16	NO CHANGE	Updated primary/secondary modes

## CONTENTS

General Information	4
Limited Warranty	6
Safety Instructions and Guidelines	7
Overview	9
Installation	10
Optional Snoot Installation	14
System Menu	15
DMX Channel Functions And Values	20
Error Codes	25
Cleaning and Maintenance	26
Technical Specifications	27
Dimensional Drawings	28
Optional Accessories	30

## **GENERAL INFORMATION**

### **INTRODUCTION**

Congratulations, you have just purchased one of the most innovative and reliable lighting fixtures on the market today! This fixture has been designed to perform reliably for years when the guidelines in this booklet are followed. Please read and understand the instructions in this manual carefully and thoroughly before attempting to operate this unit. These instructions contain important information regarding safety during use and maintenance.

### **UNPACKING**

Every fixture has been thoroughly tested and has been shipped in perfect operating condition. Carefully check the shipping carton for damage that may have occurred during shipping. If the carton appears to be damaged, carefully inspect your unit for damage and be sure all accessories necessary to operate the unit have arrived intact. In the event damage has been found or parts are missing, please contact our customer support team for further instructions. Please do not return this unit to your dealer without first contacting customer support at the number listed below. Please do not discard the shipping carton in the trash. Please recycle whenever possible.

### **BOX CONTENTS**

- (1) Omega Bracket
- (1) Locking Power Cable

## **CUSTOMER SUPPORT**

Elation Professional® provides a customer support line, to provide set up help and to answer any question should you encounter problems during your set up or initial operation. You may also visit us on the web at [www.elationlighting.com](http://www.elationlighting.com) for any comments or suggestions. For service related issue please contact Elation Professional®.

### **ELATION SERVICE USA - Monday - Friday 8:00am to 5:00pm PST**

**Voice: 323-582-3322**

**Fax: 323-832-9142**

E-mail: [support@elationlighting.com](mailto:support@elationlighting.com)

### **ELATION SERVICE EUROPE - Monday - Friday 08:30 to 17:00 CET**

**Voice: +31 45 546 85 30**

**Fax: +31 45 546 85 96**

E-mail: [support@elationlighting.eu](mailto:support@elationlighting.eu)

## **WARRANTY REGISTRATION**

Please complete and mail in the enclosed warranty card or register online: <http://www.elationlighting.com/Login.aspx> to validate your purchase. All returned service items whether under warranty or not, must be freight pre-paid and accompany a return authorization (R.A.) number. The R.A. number must be clearly written on the outside of the return package. A brief description of the problem as well as the R.A. number must also be written down on a piece of paper and included in the shipping container. If the unit is under warranty, you must provide a copy of your proof of purchase invoice. Items returned without a R.A. number clearly marked on the outside of the package will be refused and returned at customer's expense. You may obtain a R.A. number by contacting customer support.

## **IMPORTANT NOTICE!**

**There are no user serviceable parts inside this unit. Do not attempt any repairs yourself; doing so will void your manufactures warranty. Damages resulting from modifications to this fixture and/or the disregard of safety and general user instructions found in this user manual void the manufactures warranty and are not subject to any warranty claims and/or repairs.**

## LIMITED WARRANTY

A. Elation Professional® hereby warrants, to the original purchaser, Elation Professional® products to be free of manufacturing defects in material and workmanship for a period of two years (730 days), and Elation Professional® product rechargeable batteries to be free of manufacturing defects in material and workmanship for a period of six months (180 days), from the original date of purchase. This warranty excludes discharge lamps and all product accessories. This warranty shall be valid only if the product is purchased within the United States of America, including possessions and territories. It is the owner's responsibility to establish the date and place of purchase by acceptable evidence, at the time service is sought.

B. For warranty service, send the product only to the Elation Professional® factory. All shipping charges must be pre-paid. If the requested repairs or service (including parts replacement) are within the terms of this warranty, Elation Professional® will pay return shipping charges only to a designated point within the United States. If any product is sent, it must be shipped in its original package and packaging material. No accessories should be shipped with the product. If any accessories are shipped with the product, Elation Professional® shall have no liability what so ever for loss and/or or damage to any such accessories, nor for the safe return thereof.

C. This warranty is void if the product serial number and/or labels are altered or removed; if the product is modified in any manner which Elation Professional® concludes, after inspection, affects the reliability of the product; if the product has been repaired or serviced by anyone other than the Elation Professional® factory unless prior written authorization was issued to purchaser by Elation Professional®; if the product is damaged because not properly maintained as set forth in the product instructions, guidelines and/or user manual.

D. This is not a service contract, and this warranty does not include any maintenance, cleaning or periodic check-up. During the periods as specified above, Elation Professional® will replace defective parts at its expense, and will absorb all expenses for warranty service and repair labor by reason of defects in material or workmanship. The sole responsibility of Elation Professional® under this warranty shall be limited to the repair of the product, or replacement thereof, including parts, at the sole discretion of Elation Professional®. All products covered by this warranty were manufactured after January 1, 1990, and bare identifying marks to that effect.

E. Elation Professional® reserves the right to make changes in design and/or performance improvements upon its products without any obligation to include these changes in any products theretofore manufactured.

F. No warranty, whether expressed or implied, is given or made with respect to any accessory supplied with the products described above. Except to the extent prohibited by applicable law, all implied warranties made by Elation Professional® in connection with this product, including warranties of merchantability or fitness, are limited in duration to the warranty periods set forth above. And no warranties, whether expressed or implied, including warranties of merchantability or fitness, shall apply to this product after said periods have expired. The consumer's and/or dealer's sole remedy shall be such repair or replacement as is expressly provided above; and under no circumstances shall Elation Professional® be liable for any loss and/or damage, direct and/or consequential, arising out of the use of, and/or the inability to use, this product.

G. This warranty is the only written warranty applicable to Elation Professional® products and supersedes all prior warranties and written descriptions of warranty terms and conditions heretofore published.

## SAFETY INSTRUCTIONS AND GUIDELINES

This fixture is an extremely sophisticated piece of electronic equipment. To guarantee a smooth operation, it is important to follow all instructions and guidelines in this manual. The manufacturer of this device is not responsible for injury and/or damages resulting from the misuse of this fixture due to the disregard of the information printed in this manual. Only qualified and/or certified personnel should perform installation of this fixture and only the original rigging parts (omega brackets) included with this fixture should be used for installation. Any modifications to the fixture and/or the mounting hardware included will void the original manufacturer's warranty and increase the risk of damage and/or personal injury.



**PROTECTION CLASS 1 - FIXTURE MUST BE PROPERLY GROUNDED**



**DO NOT PLUG FIXTURE INTO A DIMMER PACK!**

**NEVER OPEN THIS FIXTURE WHILE IN USE!**

**UNPLUG POWER BEFORE SERVICING FIXTURE!**

**NEVER TOUCH FIXTURE DURING OPERATION, AS IT MAY BE HOT!**

**KEEP FLAMMABLE MATERIALS AWAY FROM FIXTURE!**



**INDOOR / DRY LOCATIONS USE ONLY!**

**DO NOT EXPOSE FIXTURE TO RAIN AND MOISTURE!**



**NEVER LOOK DIRECTLY INTO THE LIGHT SOURCE!**

**RETINA INJURY RISK - MAY INDUCE BLINDNESS!**

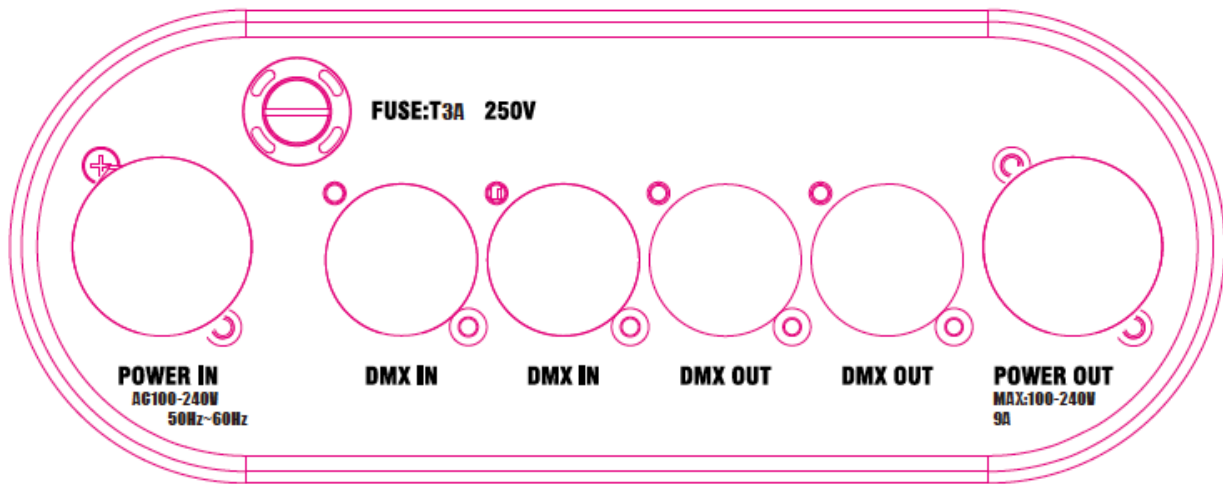
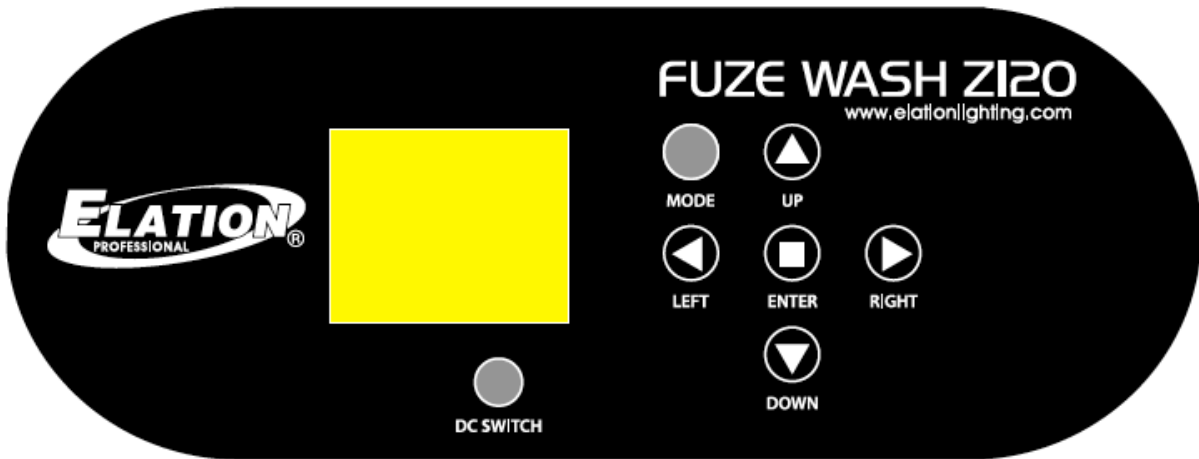
**SENSITIVE PERSONS MAY SUFFER AN EPILEPTIC SHOCK!**

## SAFETY INSTRUCTIONS AND GUIDELINES

- **DO NOT TOUCH** the fixture housing during operation. Turn OFF the power and allow approximately 15 minutes for the fixture to cool down before serving.
- **DO NOT** shake fixture, avoid brute force when installing and/or operating fixture.
- **DO NOT** operate fixture if the power cord has become frayed, crimped and/or damaged. If the power cord is damaged, replace it immediately with a new one of similar power rating.
- **DO NOT** block any air ventilation slots. All fan and air inlets must remain clean and never blocked. Allow approx. 6" (15cm) between fixture and other devices or a wall for proper cooling.
- When installing fixture in a suspended environment, always use mounting hardware that is no less than M10 x 25 mm, and always install fixture with an appropriately rated safety cable.
- Always disconnect fixture from main power source before performing any type of service and/or cleaning procedure. Only handle the power cord by the plug end, never pull out the plug by tugging the wire portion of the cord.
- During the initial operation of this fixture, a light smoke or smell may emit from the interior of the fixture. This is a normal process and is caused by excess paint in the interior of the casing burning off from the heat associated with the lamp and will decrease gradually over time.
- Consistent operational breaks will ensure the fixture will function properly for many years to come.
- Use the original packaging and materials to transport the fixture in for service.



# OVERVIEW



## INSTALLATION



### **FLAMMABLE MATERIAL WARNING**

Keep fixture at least 5.0 ft (1.5m) away from any flammable materials, decorations, pyrotechnics, etc.



### **ELECTRICAL CONNECTIONS**

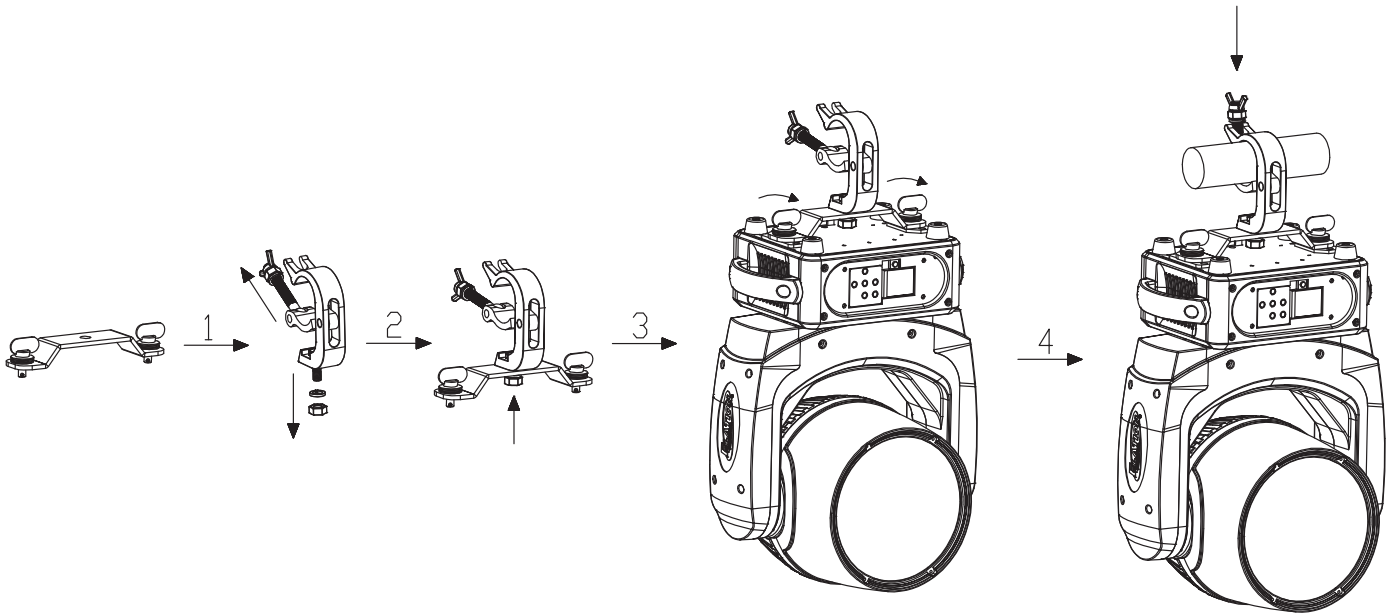
A qualified electrician should be used for all electrical connections and/or installations.

## CAUTION

- For added protection, mount the fixture in areas outside walking paths, seating areas, or in areas where unauthorized personnel might reach the fixture.
- Ambient operating temperature range for this fixture is **5° to 113°F. (-15° to 45°C)**. Do not use the fixture under or above this temperature.
- Before mounting the fixture to any surface, make sure the installation area can hold a minimum point load of 10 times the weight of the fixture.
- Fixture installation must always be secured with a secondary safety attachment, such as an appropriate safety cable.
- Never stand directly below the device when mounting, removing or servicing.

## CLAMP INSTALLATION

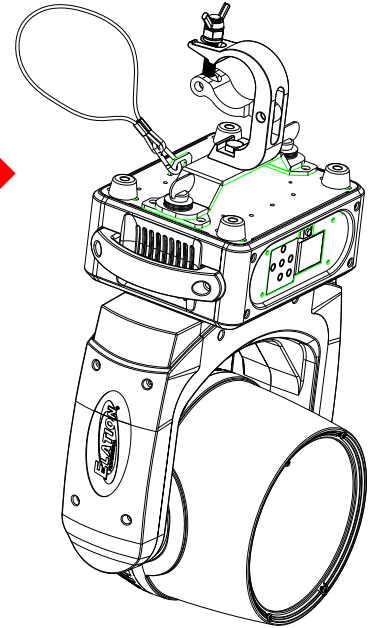
The fixture provides a unique mounting assembly (**Omega Bracket**) that attaches to the bottom of the base. (See the illustration below). When mounting this fixture to truss be sure to secure an appropriately rated clamp to the included **Omega Bracket** using a M10 screw fitted through the center hole of the **Omega Bracket**. Be sure to attach an appropriate **Safety Cable** (not included) to the fixture using the safety cable rigging point integrated in the base assembly.



### OMEGA BRACKET INSTALLATION

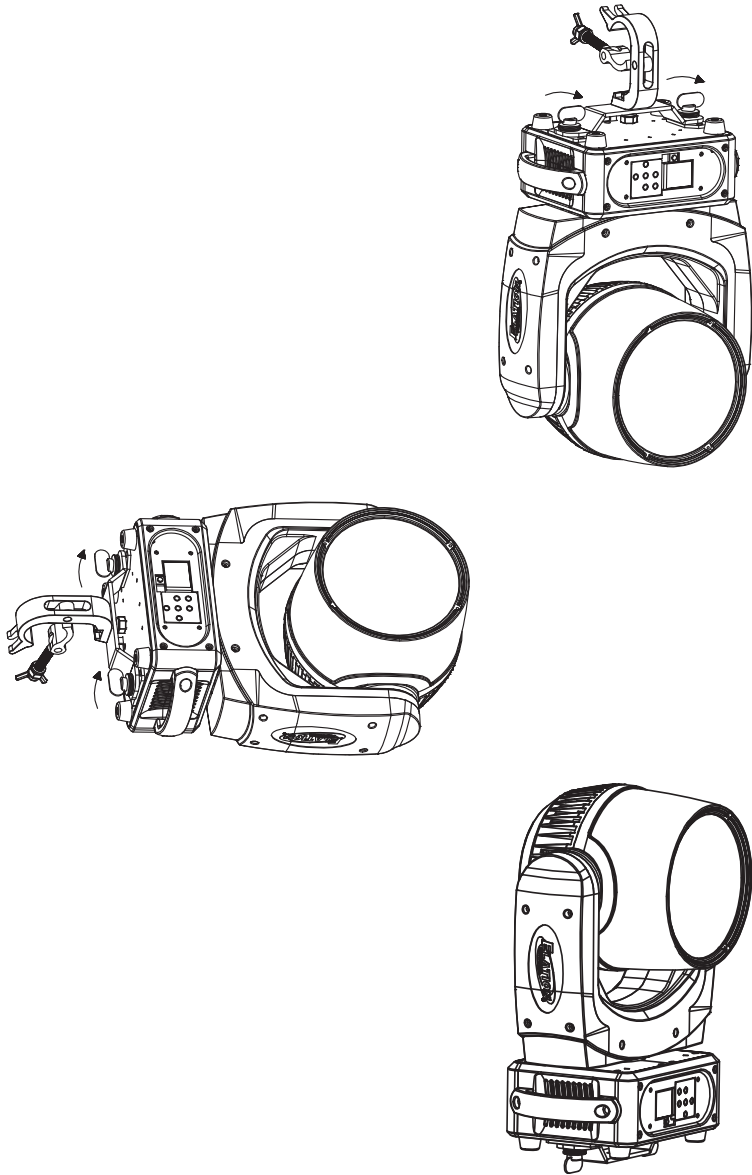
Insert the Omega Bracket into the matching holes on the bottom of the fixture. Secure the Omega Bracket to the fixture by turning each quick-lock fastener ¼ turn clockwise; making sure the fastener is completely locked.

### SAFETY CABLE RIGGING POINT



### RIGGING

Overhead rigging requires extensive experience, including amongst others calculating working load limits, installation material being used, and periodic safety inspection of all installation material and the fixture. If you lack these qualifications, do not attempt the installation yourself. Improper installation can result in bodily injury. Fixture is fully operational in the specific mounting positions illustrated below.



### **S A F E T Y   C A B L E**

**ALWAYS USE A SAFETY CABLE WHENEVER INSTALLING THIS FIXTURE IN A SUSPENDED ENVIRONMENT TO ENSURE THE FIXTURE WILL NOT DROP IF THE CLAMP FAILS.**

### **POWER LINKING**

Max number of **FUZE WASH Z120 IP™** units power linked together:

**6 units @120V | 12 units @240V**



**NOTE: USE CAUTION WHEN POWER LINKING OTHER FIXTURES TO FUZE WASH Z120™!**

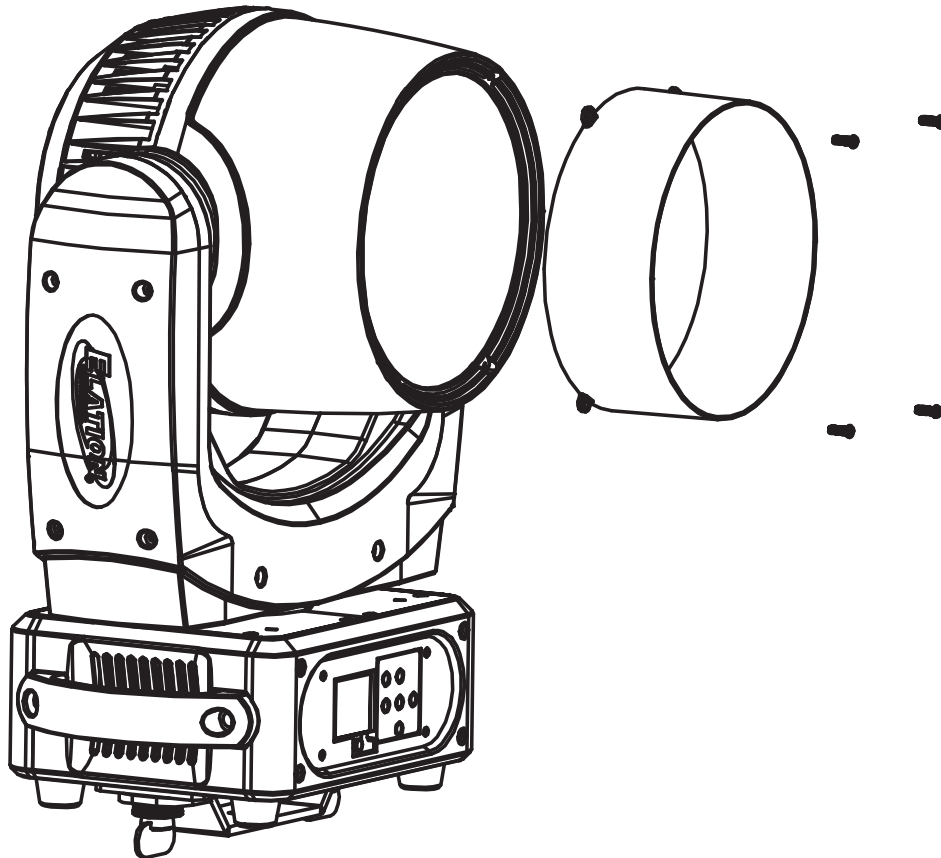
**POWER CONSUMPTION OF OTHER LIGHTING FIXTURES WILL VARY!**

**ALWAYS CHECK MAX AMP OUT RATING PRINTED ON THE REAR CONNECTION PANEL!**

## OPTIONAL SNOOT INSTALLATION

1. Place fixture on a flat surface and make sure it's powered OFF.
2. Insert Snoot into fixture head and secure using screws provided. (See image below)

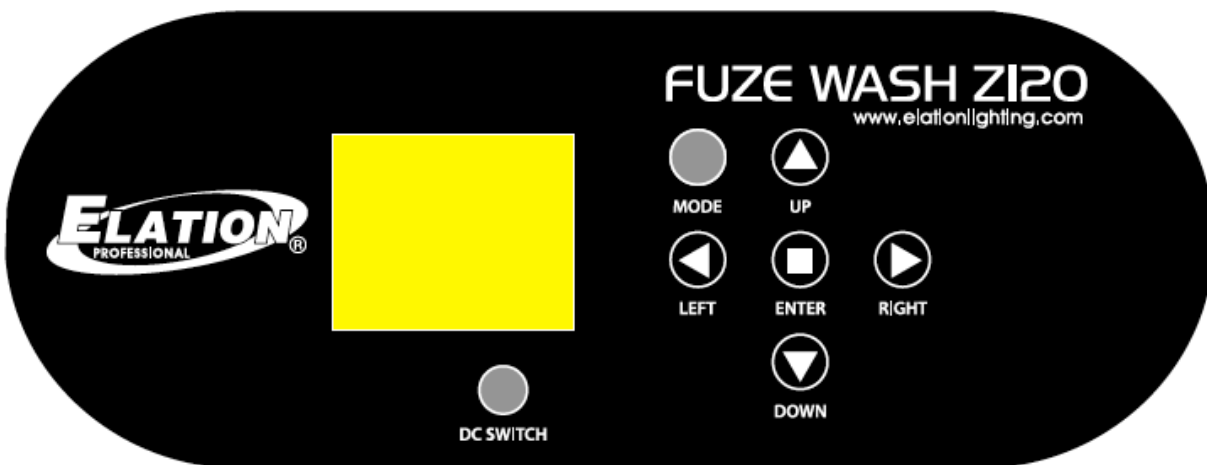
**Make sure not to over tighten screws to prevent any issues.**



## SYSTEM MENU

The fixture comes with an easy to navigate system menu. The control panel (see image below) located on the front the fixture provides access to the main system menu and is where all necessary system adjustments are made to the fixture. During normal operation, pressing **MODE** button once will access the fixture's main menu. Once in the main menu you can navigate through the different functions and access the sub-menus with the **UP**, **DOWN**, **RIGHT**, and **LEFT** buttons. Once you reach a field that requires adjusting, press the **ENTER** button to activate that field and use the **UP** and **DOWN** buttons to adjust the field. Pressing the **ENTER** button once more will confirm your setting. You may exit the main menu at any time without making any adjustments by pressing the **MODE/ESC** button.

- ▶ **NOTE:** To access the LCD Menu Control Display via the internal battery, press and hold the **DC SWITCH** button for 3 seconds. The LCD Menu Control Display will shut **OFF** automatically about 1 minute from the last button press.



### INFORMATION DISPLAYED DURING INITIAL POWER ON

When the fixture is initially powered ON, the display shows the following information:



**ELATION® FUZE WASH Z120™  
SYSTEM MENU**

Features are subject to change without any prior written notice.

MAIN MENU	SUB MENU	OPTIONS / VALUES (Default Settings in BOLD)		DESCRIPTION	
Receive	Set Address	<b>001</b> ~ XXX		DMX Address Setting	
User Mode	User Mode	<b>15CH RGBW</b> , 16CH HSI, 17CH sRGBI, 19CH RGBW,   User A, User B, User C		Set DMX Channel / User Mode	
	Edit A	Max. Chan : Chase Fade		Edit User Defined Channel Assignments	
	Edit B				
Edit C					
Function	Status	Remote Add	<b>ON/OFF</b>	Set Fixture Address Via DMX Control	
		NoDMX Mode	Blackout / <b>Hold</b> / Auto	Function If NO DMX Detected	
		Pan Invert	<b>ON / OFF</b>	Pan Reverse Movement	
		Tilt Invert	<b>ON / OFF</b>	Tilt Reverse Movement	
		Pan Degree	<b>540</b>	Pan Degree Select	
		Feedback	<b>ON/OFF</b>	Movement Feedback	
		Move. Spd	Speed <b>1</b> ~ 4	Movement Mode Select	
		Stand By	OFF, 01M~99M, <b>15M</b>	Stand By Mode	
	Fan Set	Head Fan	<b>Auto</b> , High, Low	Head Fan Speed Set	
	LCD. Set	Backlight	02~60m <b>05m</b>	LCD Backlight Shut Off Time	
		FlipDisplay	<b>ON / OFF</b>	Flip/Reverse LCD Display 180°	
		Key Lock	<b>ON / OFF</b>	Control Front Panel Buttons Key Lock	
		Disp Flash	<b>ON / OFF</b>	Display flashes when NO DMX	
	Dim Curve	<b>Standard</b> , Stage, TV, Architectur, Theatre		Set Dimmer Curve Mode	
	Temp. C/F	<b>Celsius/Fahrenheit</b>		Temperature Switch Between C° / F°	
	Init. Effect	Pan, Pan Fine, Tilt... = XXX		Initial Effect Position	
	Disp. Set	Chan. Value		Pan, Pan Fine, Tilt, Tilt Fine, Move Sp, Strobe, Dimmer, Dimmer Fine, Red, Green, Blue, White, Zoom, Intensity, Color-MC, Hue, Saturation, Dim Modes, Chase, Chase Sp, Chase Fade	Value of each Channel Displayed
		SEcd Set	SEcd 1, Secd 2, SEcd 3		Set Secondary Mode Preset
		Auto.Pro	<b>Primary</b> /Alone		Set Auto Program Mode
	Frequency (Hz)	900, 1000, 1100, <b>1200</b> , 1300, 1400, 1500, 2500, 4000, 5000, 10k, 15k, 20k, 25k		Frequency Response	
Gamma	2.0, <b>2.2</b> , 2.4, 2.6, 2.8		Gamma correction		
DFSE	<b>ON / OFF</b>		Restore Factory Settings		

*CONTINUED ON NEXT PAGE*



ELATION® FUZE WASH Z120™ SYSTEM MENU					
Features are subject to change without any prior written notice.					
MAIN MENU	SUB MENU	OPTIONS / VALUES (Default Settings in BOLD)		DESCRIPTION	
Information	Time. Info	Current	XXXX (Hours)	Fixture Run Time From Power ON	
		Total Time	XXXX (Hours)	Fixture Total Run Time	
		Last Clear	XXXX (Hours)	Clear Fixture Last Run Time	
		Timer PIN		Enter PIN to Access Clear Last. Menu	
		Clear Last	Password = 050	Reset Fixture Last Run Time	
		Clear Total	Password = 060	Reset Total Fixture Run Time	
	Temp. Info	Head Temp.		Temperature in Fixture Head	
	Error Info	Error Record 1 ~ Error Record 10		Display 10 Recent Error Messages	
	Model. Info	Fuze Wash Z120		Display Model Name	
Software Version	<b>1.16</b>		Display current software version		
Test	Reset. M			Reset of Pan/Tilt Motors	
	Test. Chan	Pan, Pan Fine, Tilt, Tilt Fine, Move Sp, Strobe, Dimmer, Dimmer Fine, Red, Green, Blue, White, Zoom, Intensity, Color-MC, Hue, Saturation, Dim Modes, Chase, Chase Sp, Chase Fade		Test Functions	
	Panel. Ctrl	PAN=XXX...		Fine Adjustments	
	Calibrate	Password	Password= <b>050</b>	Calibration of Motors and LEDs	
Program	Select. Pro	Auto Pro Part1 = Program 1~9 ( <b>Program 1</b> )		Select Programs To Be Run	
		Auto Pro Part2 = Program 1~9 ( <b>Program 2</b> )			
		Auto Pro Part3 = Program 1~9 ( <b>Program 3</b> )			
	Edit. Pro	Program 1	Program Test Step 01-64		Testing Program
		...	...		Program In Loop
		Program 9	Program Test Step 01-64		Save and Exit
	Edit Sce.	Edit Scene 001		Pan, Tilt, ...	
		~Edit Scene 250		Fade Time	
				Scene Time	
		Input By Outside			
Sce. Input	XX-XX		Scene Input		

**Function - Status - Remote Add**

When ON, define the desired DMX address of fixture via an external controller.

1. Connect the fixture to the external controller and power ON.
2. Set the DMX value of **Channel 1** on the controller to **(7)**.
3. Set the DMX value of **Channel 2** on the controller to **(7)** or **(8)**.

When set to **(7)**, the DMX address can be set between **(1)** and **(255)**.

When set to **(8)**, the DMX address can be set between **(256)** and **(511)**.

4. Using **Channel 3** on the controller set the desired DMX address of the fixture.

**Example 1:**

If the desired DMX address is **57**, set **Channel 1** to a value of **(7)**, set **Channel 2** to a value of **(7)**, and then set **Channel 3** to a value of **(57)**.

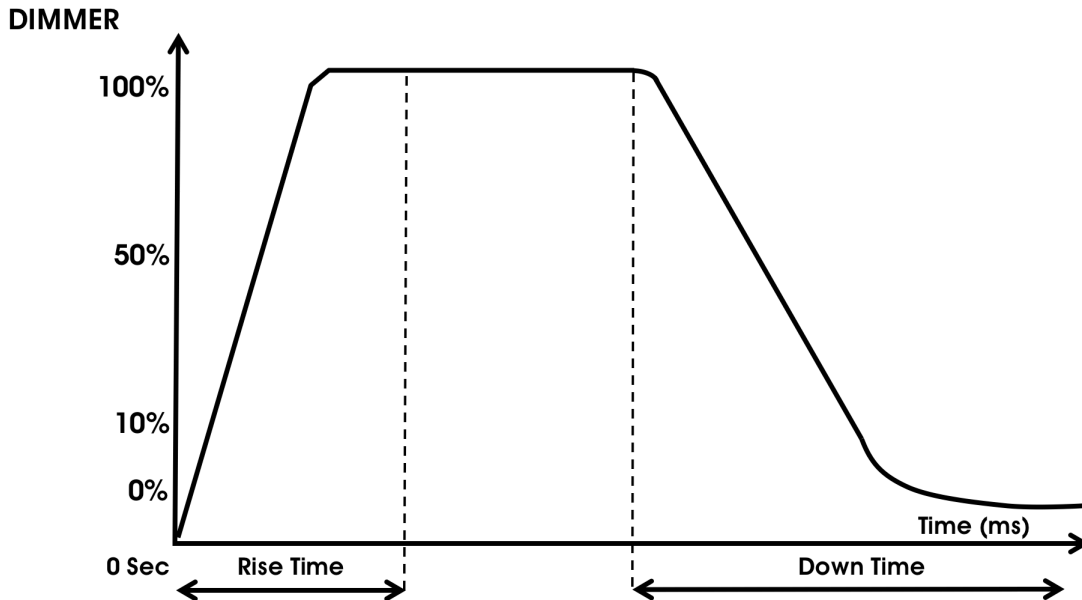
**Example 2:**

If the desired DMX address is **420**, set **Channel 1** to a value of **(7)**, set **Channel 2** to a value of **(8)**, and then set **Channel 3** to a value of **(164)**. (256+164=420)

5. After setting **Channel 3** to the desired DMX address value, wait for approximately 20 seconds for the fixture to complete the address reset function.

### Function - Dim Curve

Select desired DIMMER MODE (**Standard**, Stage, TV, Architectural, Theatre).



Dimming Curve Ramp Effect	0 sec Fade Time		1 sec Fade Time	
	Rise Time (ms)	Down Time (ms)	Rise Time (ms)	Down Time (ms)
Standard (default)	0	0	0	0
Stage	780	1100	1540	1660
TV	1180	1520	1860	1940
Architectural	1380	1730	2040	2120
Theatre	1580	1940	2230	2280

### Test - Calibrate



## ONLY QUALIFIED TECHNICIANS SHOULD PERFORM THIS FUNCTION

This function allows small adjustments to be made to the effect wheels to compensate for wear or in the event a sensor has been knocked slightly out of place. Because improper use of this function can result in undesired operation this function has been password protected. The password is **050** and must be entered each time the calibration menu function is entered. Because calibration is an extremely delicate procedure, instructions on performing this action are left out of this manual. For a first-time calibrator, please contact our customer support team for step-by-step instructions.

# DMX CHANNEL FUNCTIONS AND VALUES

ELATION© FUZE WASH Z120™					
DMX Channel Values / Functions Version (19 DMX Channels)					
Supports Software Versions: ≥ 1.15					
Features are subject to change without any prior written notice.					
*Rotation direction (Clockwise or Counterclockwise) of effects depends on orientation of the fixture head and Pan/Tilt settings.					
MODE / CHANNEL				VALUE	FUNCTION
15 RGBW	16 HSI	17 RGBI	19 RGBW		
1	1	1	1	0-255	PAN MOVEMENT [8 BIT]
					PAN Movement 630/540
2	2	2	2	0-255	PAN FINE MOVEMENT [16 BIT]
					Fine Control of PAN Movement
3	3	3	3	0-255	TILT MOVEMENT [8 BIT]
					TILT Movement
4	4	4	4	0-255	TILT FINE MOVEMENT [16 BIT]
					Fine Control of TILT Movement
5			5	0-255	RED
					0 to 100%
6			6	0-255	GREEN
					0 to 100%
7			7	0-255	BLUE
					0 to 100%
8			8	0-255	WHITE
					0 to 100%
9	5	5	10	0-31	SHUTTER / STROBE
					LED OFF
				32-63	LED ON
				64-95	Strobe Effect SLOW to FAST
				96-127	LED ON
				128-159	Pulse Effect in Sequences
				160-191	LED ON
				192-223	Random Strobe Effect SLOW to FAST
				224-255	LED ON
		6		0-255	RED
					0 to 100%
		7		0-255	GREEN
					0 to 100%
		8		0-255	BLUE
					0 to 100%
	6			0-255	HUE
					0-100%
	7			0-255	SATURATION
					0-100%
	8	9		0-255	INTENSITY
					0-100%

**ELATION® FUZE WASH Z120™**  
**DMX Channel Values / Functions Version (19 DMX Channels)**

Supports Software Versions: ≥ 1.15

Features are subject to change without any prior written notice.

*\*Rotation direction (Clockwise or Counterclockwise) of effects depends on orientation of the fixture head and Pan/Tilt settings.*

MODE / CHANNEL				VALUE	FUNCTION
15 RGBW	16 HSI	17 RGBI	19 RGBW		
	9	10	9	0	COLOR PRESETS No function
				1-255	See Color Macros Chart
10			11		DIMMER INTENSITY
				0-255	Dimmer 0 to 100%
11			12		DIMMER INTENSITY FINE
				0-255	Dimmer FINE Adjustment
12	10	11	13		ZOOM
				0-255	Zoom 0% (5 Degrees) to 100% (50 Degrees)
					PROGRAM MACROS
				0	NO FUNCTION
				1-20	Auto Program 1
				21-40	Auto Program 2
				41-60	Auto Program 3
				61-80	Auto Program 4
				81-100	Auto Program 5
				101-120	Auto Program 6
				121-140	Auto Program 7
				141-160	Auto Program 8
				161-180	Auto Program 9
				181-200	Auto Program 10
				201-220	Auto Program 11
				221-240	Auto Program 12
				241-250	Auto Program 13
				251-255	Gradient Effect
	12	13	15		AUTO PROGRAM SPEED
				0-255	Slow to Fast
	13	14	16		AUTO PROGRAM FADE
				0-255	0-100%
					DIMMING MODES
				0-20	STANDARD
				21-40	STAGE
				41-60	TV
				61-80	ARCHITECTURAL
				81-100	THEATRE
				101-255	Default to Unit Setting

CONTINUED ON NEXT PAGE

ELATION® FUZE WASH Z120™					
DMX Channel Values / Functions Version (19 DMX Channels)					
Supports Software Versions: ≥ 1.15					
Features are subject to change without any prior written notice.					
*Rotation direction (Clockwise or Counterclockwise) of effects depends on orientation of the fixture head and Pan/Tilt settings.					
MODE / CHANNEL				VALUE	FUNCTION
15 RGBW	16 HSI	17 RGBI	19 RGBW		
14	15	16	18		PAN / TILT MOVEMENT SPEED
				0-225	MAX to MIN SPEED
				226-235	Blackout By Movement
				236-255	NO FUNCTION
15	16	17	19		LAMP ON/OFF, RESET, INTERNAL PROGRAMS
				0-10	Normal (Default LED Refresh Rate = 1200 Hz)
				11	900 Hz
				12	910 Hz
				13	920 Hz
				14	930 Hz
				15	940 Hz
				16	950 Hz
				17	960 Hz
				18	970 Hz
				19	980 Hz
				20	990 Hz
				21	1000 Hz
				22	1010 Hz
				23	1020 Hz
				24	1030 Hz
				25	1040 Hz
				26	1050 Hz
				27	1060 Hz
				28	1070 Hz
				29	1080 Hz
				30	1090 Hz
				31	1100 Hz
				32	1110 Hz
				33	1120 Hz
				34	1130 Hz
				35	1140 Hz
				36	1150 Hz
				37	1160 Hz
				38	1170 Hz
				39	1180 Hz
				40	1190 Hz
41	1210 Hz				
42	1220 Hz				
43	1230 Hz				
44	1240 Hz				
45	1250 Hz				

CONTINUED ON NEXT PAGE

**ELATION® FUZE WASH Z120™**  
**DMX Channel Values / Functions Version (19 DMX Channels)**

Supports Software Versions: ≥ 1.15

Features are subject to change without any prior written notice.  
*\*Rotation direction (Clockwise or Counterclockwise) of effects depends on orientation of the fixture head and Pan/Tilt settings.*

MODE / CHANNEL				VALUE	FUNCTION
15 RGBW	16 HSI	17 RGBI	19 RGBW		
15 <i>(continued from prev page)</i>	16 <i>(continued from prev page)</i>	17 <i>(continued from prev page)</i>	19 <i>(continued from prev page)</i>		LAMP ON/OFF, RESET, INTERNAL PROGRAMS <i>(continued from prev page)</i>
				46	1260 Hz
				47	1270 Hz
				48	1280 Hz
				49	1290 Hz
				50	1300 Hz
				51	1310 Hz
				52	1320 Hz
				53	1330 Hz
				54	1340 Hz
				55	1350 Hz
				56	1360 Hz
				57	1370 Hz
				58	1380 Hz
				59	1390 Hz
				60	1400 Hz
				61	1410 Hz
				62	1420 Hz
				63	1430 Hz
				64	1440 Hz
				65	1450 Hz
				66	1460 Hz
				67	1470 Hz
				68	1480 Hz
				69	1490 Hz
				70	1500 Hz
				71	2500 Hz
				72	4000 Hz
				73	5000 Hz
				74	6000 Hz
				75	10000 Hz
				76	15000 Hz
				77	20000 Hz
				78	25000 Hz
79	Disable LED Refresh Rate				
80-84	All Motor Reset				
85-99	No Function				
100-119	Internal Program 1 (scene1~8 of EEPROM)				
120-139	Internal Program 2 (scene9~16 of EEPROM)				

CONTINUED ON NEXT PAGE

**ELATION® FUZE WASH Z120™**  
DMX Channel Values / Functions Version (19 DMX Channels)

Supports Software Versions: ≥ 1.15

Features are subject to change without any prior written notice.  
*\*Rotation direction (Clockwise or Counterclockwise) of effects depends on orientation of the fixture head and Pan/Tilt settings.*

MODE / CHANNEL				VALUE	FUNCTION
15 RGBW	16 HSI	17 RGBI	19 RGBW		
15 <i>(continued from prev page)</i>	16 <i>(continued from prev page)</i>	17 <i>(continued from prev page)</i>	19 <i>(continued from prev page)</i>		LAMP ON/OFF, RESET, INTERNAL PROGRAMS <i>(continued from prev page)</i>
				140-159	Internal Program 3 (scene17~24 of EEPROM)
				160-179	Internal Program 4 (scene25~32 of EEPROM)
				180-199	Internal Program 5 (scene33~40 of EEPROM)
				200-219	Internal Program 6 (scene41~48 of EEPROM)
				220-239	Internal Program 7 (scene49~56 of EEPROM)
				240-255	No Function



## ERROR CODES

When power is applied, the unit will automatically enter a “**Motor Reset**” mode, which brings all the internal motors to a home position. If there is an internal problem with one or more of the motors, an error code (see below) will flash on the control display.

ERROR CODE	DESCRIPTION
<b>TILT Er</b>	The TILT movement is not located in the default position after the reset. This message will appear after a fixture reset if the magnetic-indexing circuit malfunctions (sensor failed or magnet is missing) or there is a motor failure (defective motor or defective motor IC drive on main PCB). This error may also be displayed if the head was blocked during a reset function
<b>PAN Er</b>	The PAN movement is not located in the default position after the reset. This message will appear after a fixture reset if the magnetic-indexing circuit malfunctions (sensor failed or magnet is missing) or there is a motor failure (defective motor or a defective motor IC drive on the main PCB). This error may also be displayed if the head/yoke was blocked during a reset function.
<b>ZOOM Er</b>	The ZOOM movement is not located in the default position after the reset. This message will appear after a fixture reset if the magnetic-indexing circuit malfunctions (sensor failed or magnet is missing) or there is a motor failure (defective motor or a defective motor IC drive on the main PCB). This error may also be displayed if the head/yoke was blocked during a reset function.

## CLEANING AND MAINTENANCE



**C A U T I O N**

**Disconnect power before cleaning or maintenance.**

### CLEANING

Frequent cleaning is recommended to insure proper function, optimized light output, and an extended life. The frequency of cleaning depends on the environment in which the fixture operates: damp, smoky or particularly dirty environments can cause greater accumulation of dirt on the fixture's optics.

- Clean the external lens surface at least every 20 days with a soft cloth to avoid dirt/debris accumulation.
- Never use alcohol, solvents, or ammonia based cleaners.

### MAINTENANCE

Regular inspections are recommended to insure proper function and extended life. There are no user serviceable parts inside this fixture, please refer all other service issues to an authorized Elation service technician. Should you need any spare parts, please order genuine parts from your local Elation dealer.

Please refer to the following points during routine inspections:

- A detailed electric check by an approved electrical engineer every three months, to make sure the circuit contacts are in good condition and prevent overheating.
- Be sure all screws and fasteners are securely tightened at all times. Loose screws may fall out during normal operation resulting in damage or injury as larger parts could fall.
- Check for any deformations on the housing, color lenses, rigging hardware and rigging points (ceiling, suspension, trussing). Deformations in the housing could allow for dust to enter into the fixture. Damaged rigging points or unsecured rigging could cause the fixture to fall and seriously injure a person(s).
- Electric power supply cables must not show any damage, material fatigue or sediments. Never remove the ground prong from the power cable.

## TECHNICAL SPECIFICATIONS

### SOURCE

120W RGBW COB LEDs

100,000 Hour Average LED Life\*

\*May vary depending on several factors including but not limited to:  
Environmental Conditions, Power/Voltage, Usage Patterns (On-Off Cycling), Control, and Dimming.

### COLOR

RGBW

### EFFECTS

RGBW Color Mixing

Motorized Zoom

Electronic Strobe, Dimming and Variable Dimming Curves

64 Color Presets and 14 Unique Color Macros

### CONTROL / CONNECTIONS

4 DMX Channel Modes (19 Total Channels)

7 Button Control Panel and LCD Menu Display

RDM (Remote Device Management)

3pin/5pin DMX and Power In/Out

### SIZE / WEIGHT

Length: 13.3" (338mm)

Width: 9.0" (229mm)

Vertical Height: 18.2" (466mm)

Weight: 22 lbs. (10 kg)

### ELECTRICAL / THERMAL

AC 100-240V - 50/60Hz

157W Max Power Consumption

5F to 113°F (-15°C to 45°C)

BTU/hr (+/- 10%) 535.37

### APPROVALS / RATINGS

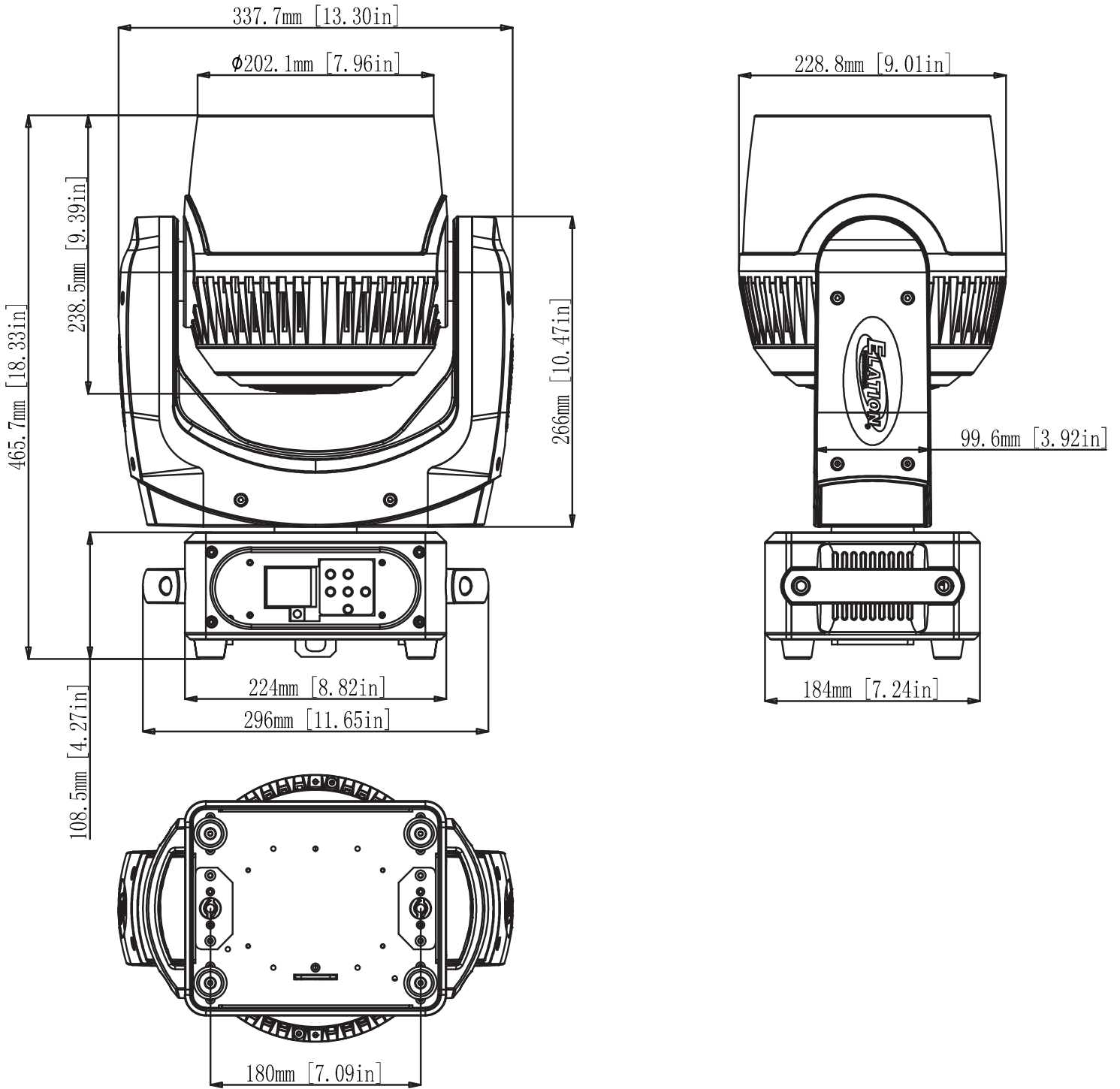
CE | IP30 |



**Intertek**  
**4010765**

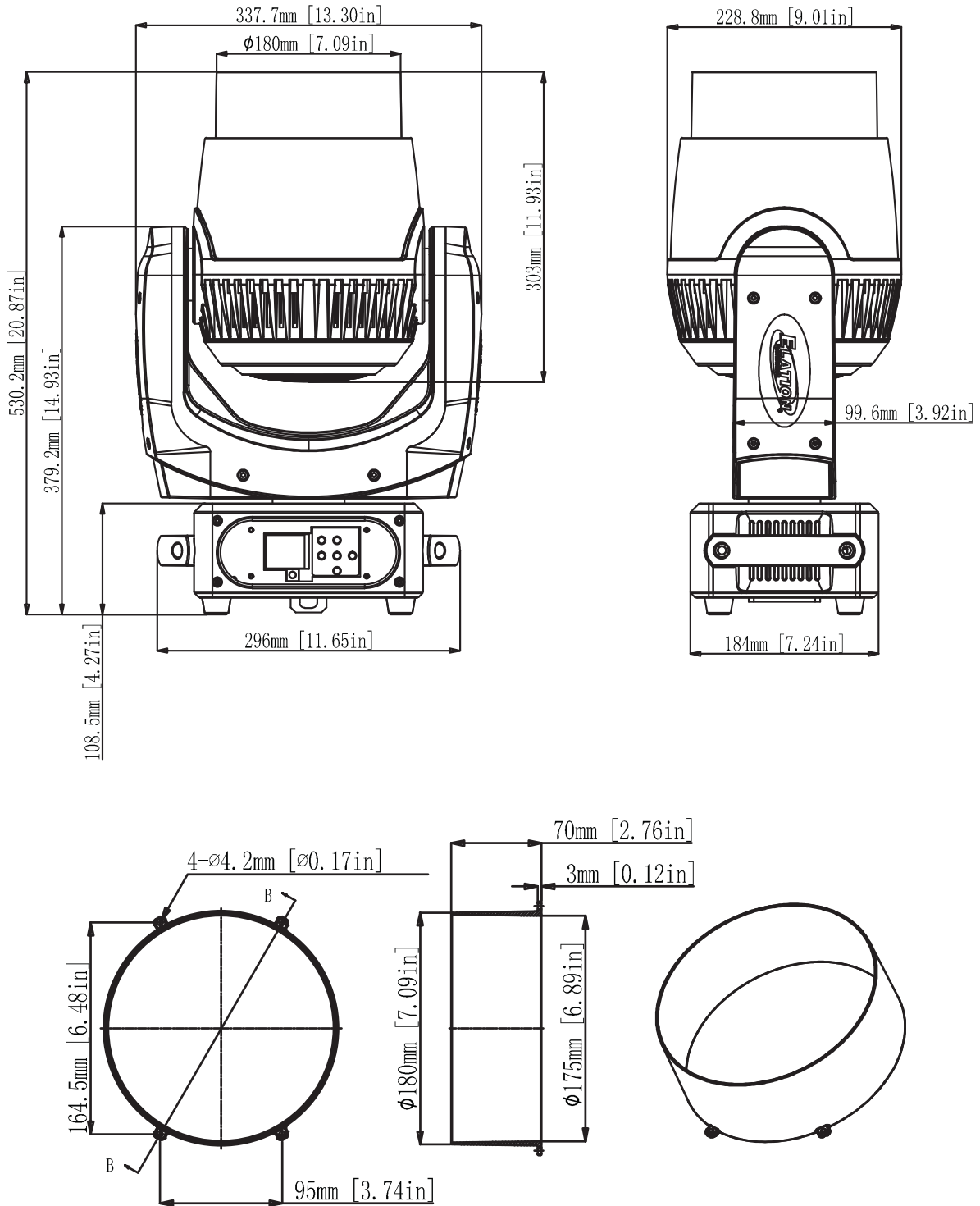
Please Note: Specifications and improvements in the design of this unit and this manual are subject to change without any prior written notice.

**DIMENSIONAL DRAWINGS**



Please Note: Specifications and improvements in the design of this unit and this manual are subject to change without any prior written notice.

### DIMENSIONAL DRAWINGS - Optional Snoot Installed



Please Note: Specifications and improvements in the design of this unit and this manual are subject to change without any prior written notice.

## OPTIONAL ACCESSORIES

ORDER CODE	ITEM
FW120SNOOT	FUZE WASH Z120 Snoot
TRIGGER CLAMP	Heavy Duty Wrap Around Hook Style Clamp
DRC120FUZE	FUZE WASH Z120 Quad Road Case
AC3PDMX5PRO	5 ft. (1.5m) 3pin PRO DMX Cable
AC5PDMX5PRO	5 ft. (1.5m) 5pin PRO DMX Cable
PLC3	3 ft. (1m) Locking Power Cable
	Additional Cable Lengths Available

(left blank)

**SKU#:** FUZ024